

## CUT SIZE AND FINISHED SIZE

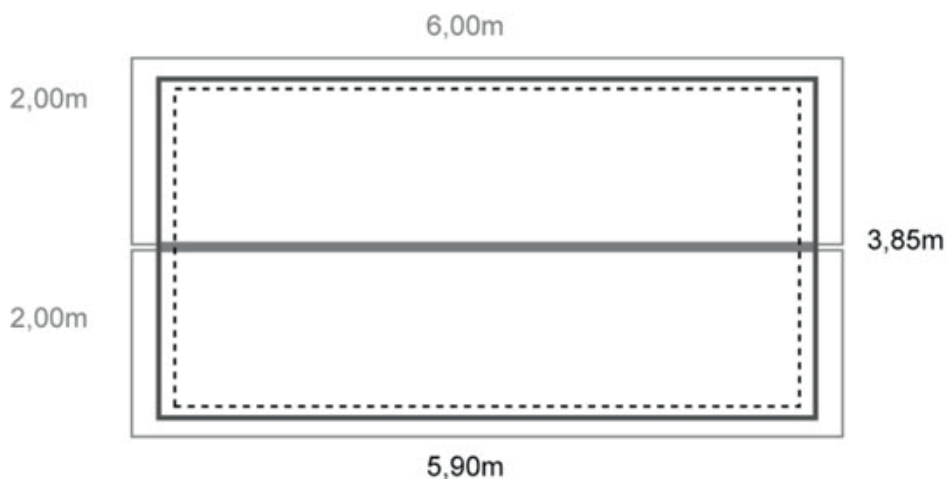
The difference between a cut size and a finished size is the width of the hem and the width of the seam (or welding). The normal width of the hem and seam in tarpaulin confection is about 5 cm.

Cut size is the gross size before fabrication. The finished size will be smaller (-/- 2 x 5 cm hem , -/- number of seam x 5 cm)

Finished size is the nett size after fabrication. The cut size will be bigger (+/+ 2 x 5 cm hem, +/+ number of seam x 5 cm).

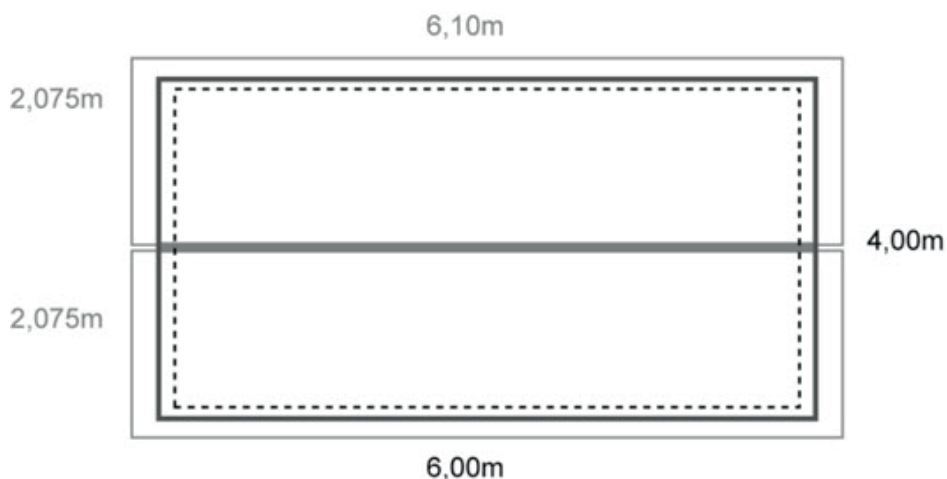
Cut size 4,00m x 6,00m 24,00 m<sup>2</sup>

Finished size 3,85m x 5,90m Surface 22,72 m<sup>2</sup> (-/- 5,3%)



Finished size 4,00m x 6,00m 24,00 m<sup>2</sup>

Cut size 4,15m x 6,10m 25,32 m<sup>2</sup> (-/- 5,3%)



Tolerance on all mentioned sizes is +/- 2%